




## CORPORATE BROCHURE

**PRECISION PACKAGING**  
**PERFECT PROTECTION**

SCAN ME



For  
Product  
Catalogue

 Phone:  
+91 91063 10985

 Email:  
info@omptpl.com

 Website:  
www.omptpl.com

# Welding Rod Boxes



## Product Description

- Square changeable protective packaging with ratchet length adjustment.

## Product Features

- Easy & Quick to handle
- Excellent for stacking & Storage
- Durable and re-usable
- Sturdy oil & moisture resistance

## Application

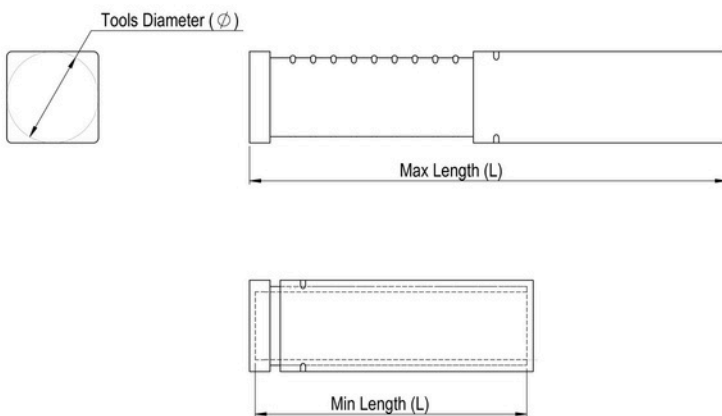
- Ideal for welding rod

## Available in

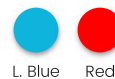
- Polythylene (PE) Coloured

## Packing

- Packing each size in separate cartoon
- Inner & Outer are packed as a set



## Color Option



L. Blue Red

Note: For special colour we demand quantity

# Available Sizes for \_\_\_\_\_ Welding Rod Boxes



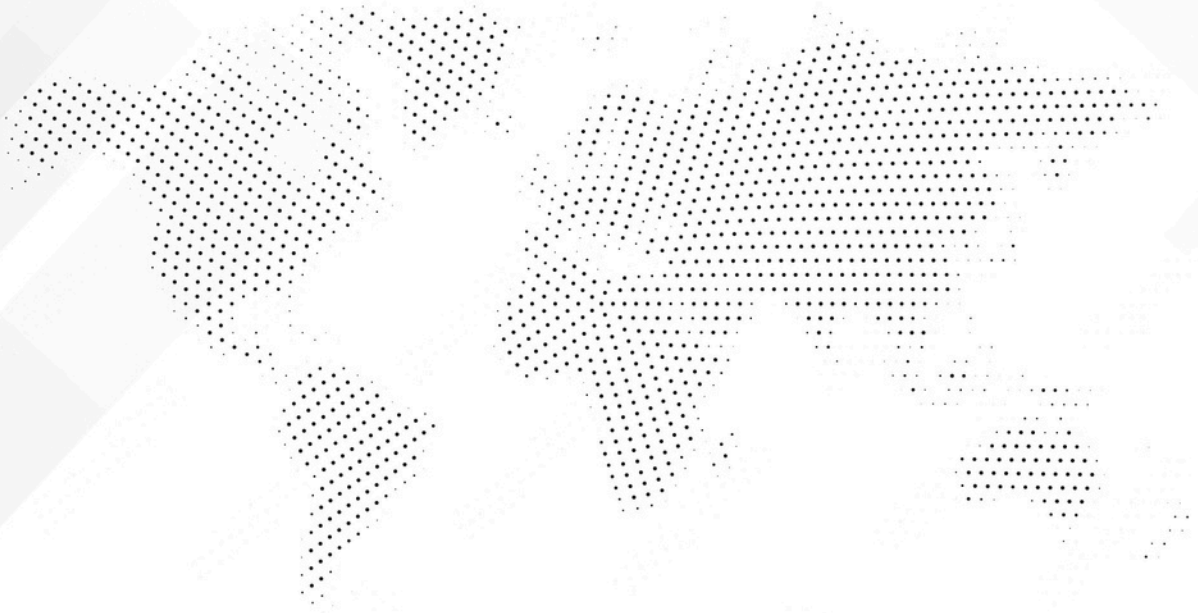
\* TBA = To be Arranged

Plastic Tubes for Welding Electrode				
Item Code	Min-Max Length (L) (mm)	Weight Capacity	Box Qty	Purpose
CHP30250450	250-450	1 Kg	256	Welding Electrode
CHP50250450	250-450	2 Kg	100	Welding Electrode
CHP65300450	300-450	5 Kg	33	Welding Electrode
CHP76300600	300-600	5 Kg	49	Welding Electrode
WRT 370	370	2 Kg	TBA	Welding Electrode

Plastic Tubes for Tig Welding Rod					
Item Code	Length (mm)	Width (mm)	Height (mm)	Box Qty	Purpose
RT920	920	45	35	1050	Tig Welding
RT1020	1020	45	35	1050	Tig Welding
ST920	920	40	40	1050	Tig Welding
ST1020	1020	40	40	1050	Tig Welding

For more info, Please visit at: [www.omptpl.com](http://www.omptpl.com) or email: [info@omptpl.com](mailto:info@omptpl.com)

• SERVING WORLDWIDE •



**Phone**

+91 91063 10985



**Website**

[www.omptpl.com](http://www.omptpl.com)



**Email**

[info@omptpl.com](mailto:info@omptpl.com)



**Address**

Plot no: 8, 9 & 10,  
Siddhivinayak Industrial Zone,  
Dholra Virva Road,  
Village: Virva, Tal: Lodhika,  
Dist: Rajkot, Pin: 360311